

THE LINDE GROUP



林德港氧有限公司  
Linde HKO Ltd.



### Customer Services Hotline

Tel No. 2372 2288

Fax: 2372 2508

E-mail : [cschko.lg.cn@linde.com](mailto:cschko.lg.cn@linde.com)

E-Shop : [www.linde.hk/shop](http://www.linde.hk/shop)

Customer Services Centre office hour

Mon to Sat

( 8:45 a.m. to 6:00 p.m.)

Sunday and Statutory Holidays

(Closed)

Linde HKO Ltd.

12 Chun Yat Street, Tseung Kwan O  
Industrial Estate, Tseung Kwan O, KLN.

### Oxygen Concentrator Rental Price List

Product rental portfolio	Monthly Rental	Deposit
(Package 1) Everflo 5 Liter Oxygen Concentrator 1 Set	HK \$620	HK \$1000
(Package 2) Everflo 5 Liter Oxygen Concentrator 1 Set with 1 Medical Oxygen cylinder (B , C or D Size )+ Regulator	HK \$708	HK \$1000
(Package 3) Everflo 5 Liter Oxygen Concentrator 1 Set with 2 Medical Oxygen cylinders (B , C or D Size ) + Regulator	HK \$750	HK \$1000
Optional - Mechanical oxygen conserving regulator	HK \$300	HK \$300

#### Accessories:

(Package 1)

One set 7' Nasal Cannula and 25' Extension Tubing with connector

(Package 2)and(Package 3)

Two sets of 7' Nasal Cannula and one set of

25' Extension Tubing with connector and cylinder bag

#### Medical Oxygen gas price:

B Size : 145 Liter – Each Bottle HK\$50

C Size : 230 Liter – Each Bottle HK\$90

D Size : 320 Liter – Each Bottle HK\$114

(Free Delivery)

#### Oxygen concentrator maintenance services:

1. Three times preventative maintenance service per year

2. Provide free blood pressure test and SP02 test

Note:

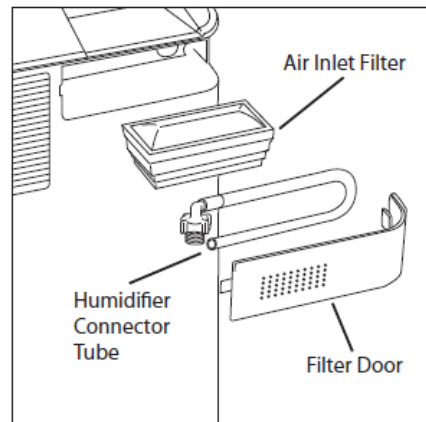
1. The minimum rental charge for above package at least one month, if rental time is shorter than one month will also charged as full month rental.

2. The deposit will refund after termination of contract and concentrator had been returned back to company

3. The company reserves the right to make changes to the above prices and offers without notices

4. Maintenance and product return services only available between Monday to Friday (office hour)

Updated : 10 / 06 / 2018



Specifications	
Voltage Input	230 VAC +/- 10%
Frequency	50Hz
Power Consumption	< 300 W
Oxygen Concentration)	93% (+/- 3%)
Flow	0.5-5 LPM
Weight	15 kg (33 lbs)
Sound Level	43 dBA typical
Dimensions	580mm (22.8")x x380 mm (15") x 240 mm (9.5") (H x W x D)
Oxygen Purity Alarms	Low oxygen at 82% purity Very Low Oxygen at 70%
Operating Temperature	12 °C - 32 °C
Storage/Transport Humidity	(34°C to 71°C) up to 95 % RH
Relative Humidity	15% to 95%, non-condensing
Outlet Pressure	5-7 psi (0.34 - 0.48 Bar)
Operating Altitude	0 to 2,286 m)

The device can concentrated oxygen from the air by using a molecular sieve and a pressure swing adsorption process, which can provide concentrated oxygen to a patient requiring low flow oxygen therapy.  
(Oxygen concentration up to 93% +/- 3%)

**Feature**

- (1) 24 hour x365 days non-stop oxygen supply
- (2) OPI function and Energy saving
- (3) Convenient and lightweight
- (4) Quiet
- (5) 0.5 - 5 Liter Flow

**Cleaning & Maintenance**

Warning: It is important to unplug the power supply before performing any cleaning process.

- Use a damp cloth to wipe the exterior case of the EverFlo device regularly.
- If medical disinfectants had been used, please make sure to follow the manufacturer's instructions.

Warning: Do not remove the covers of this device. Servicing must be provided by authorized and trained Respironics home care service technician.

**Classification**

The EverFlo Oxygen Concentrator is classified as:

- IEC Class II Equipment
- Type BF Applied Part
- IPX1 Drip Proof
- Not suitable for use in the presence of a flammable anesthetic mixture with air or with oxygen or nitrous oxide.
- Continuous Operation